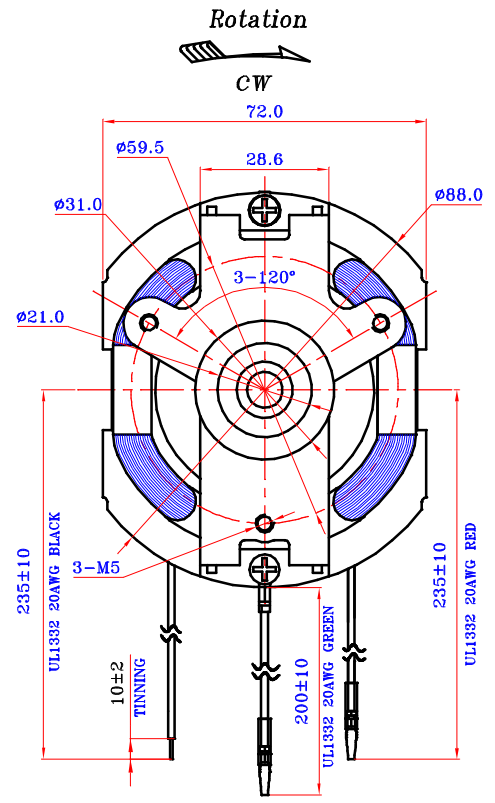
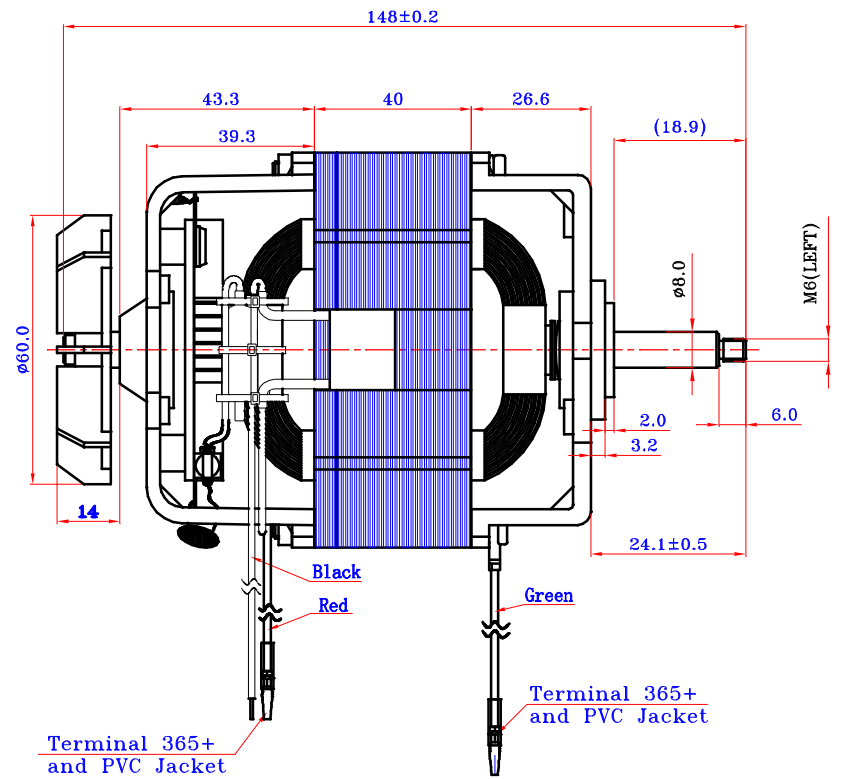
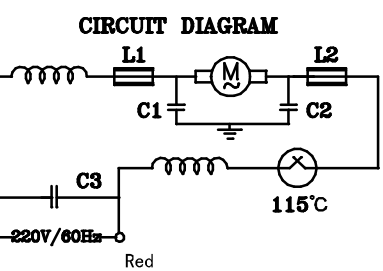


Rohs Compliance

REV	DESCRIPTION	DATE	BY
A	FIRST ISSUE		



Label content:
MT-8840M220BR
220V/60Hz
MADE IN CHINA



Note:
L1=L2=2.6mH
C1=C2=JY332M/X1Y2
C3=0.33 μ F/275V-X2
Thermostat:
115°C 5A KW-A2 OR
NRS-9700

DATE	2014.08.20	DATE	2014.08.20
DESIGNED BY	WANG	DESIGNED BY	WANG
CHECKED BY	WANG	CHECKED BY	WANG
APPROVED BY	WANG	APPROVED BY	WANG

DWN. BY	CHK. BY	APP. BY
Date(yyymmdd)	Date(yyymmdd)	Date(yyymmdd)
MATERIAL:		SCALE 3:1
FINISH:		NOT SCALE
General Tolerance ISO 2768-1 Class m (Unless specified)		TITLE
ALL DIMENSIONS ARE IN MILLIMETRES		OD-HC8840M220 (MT-8840M220BR)
SHENZHEN ODIN IMPORT AND EXPORT CO.,LTD		DWG NO.
		SHEET 1 OF 1